

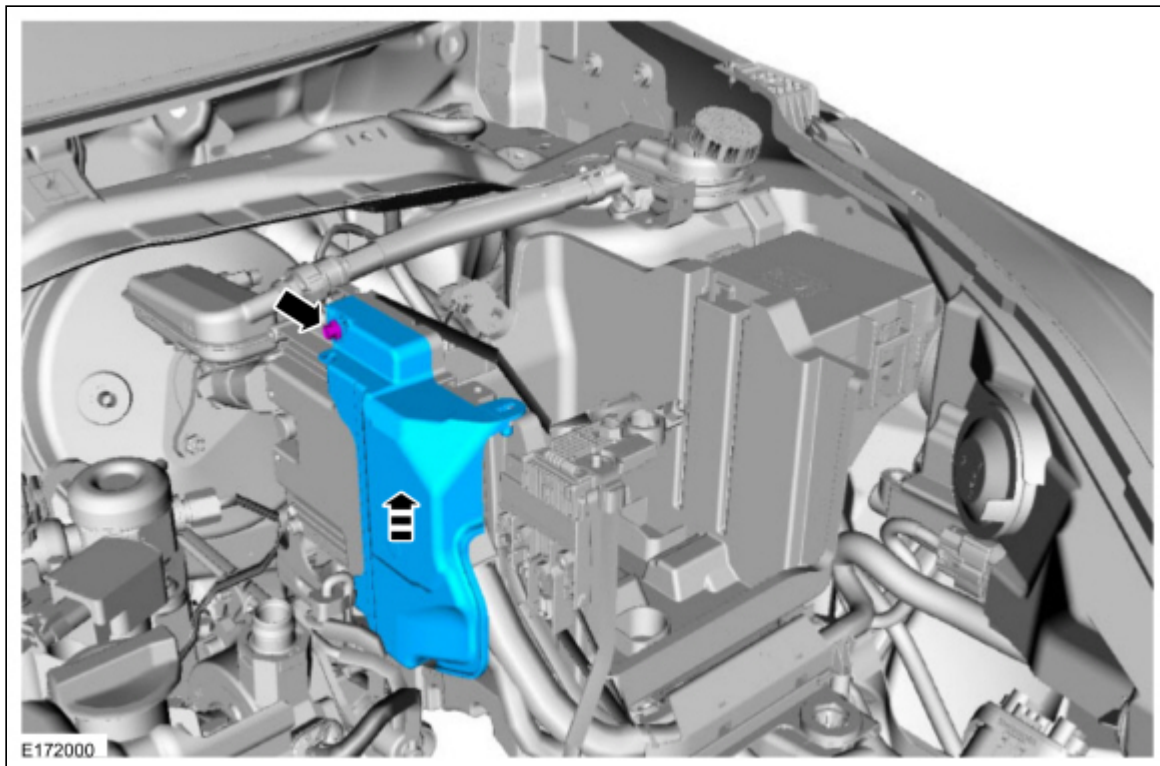
## Battery Tray - 1.0L EcoBoost (90kW/120PS)/1.6L EcoBoost (132kW/180PS) - Sigma

### Removal

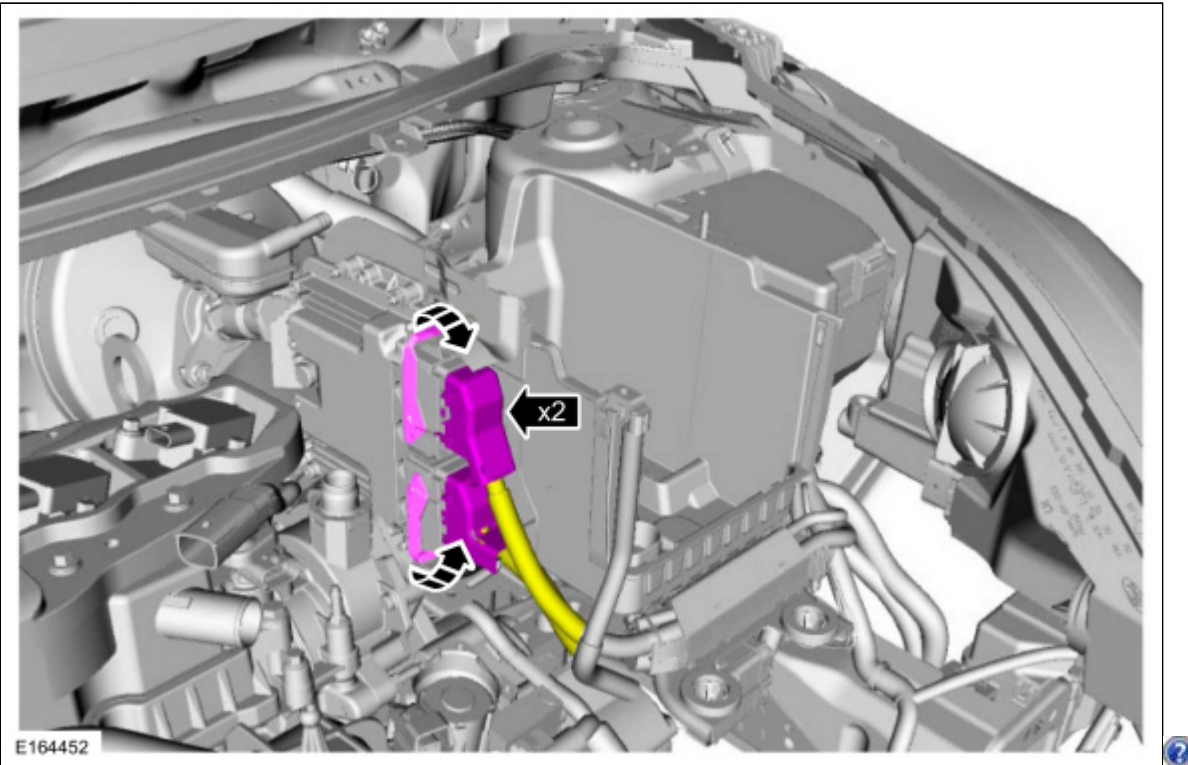
1. **⚠️ WARNING:** Before beginning any service procedure in this section, refer to Safety Warnings in section 100-00 General Information. Failure to follow this instruction may result in serious personal injury.

Refer to: [Health and Safety Precautions](#) (100-00 General Information, Description and Operation).

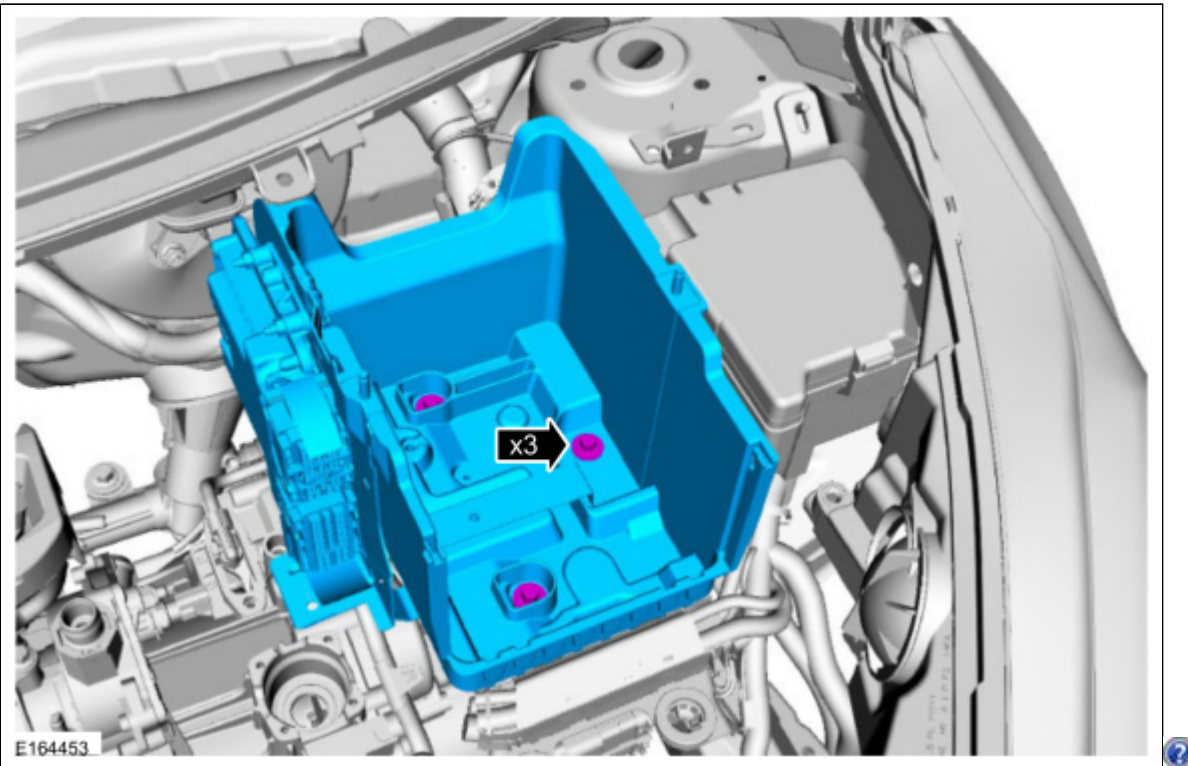
2. Refer to: [Battery](#) (414-01 Battery, Mounting and Cables, Removal and Installation).
3.
  - Refer to: Air Cleaner Outlet Pipe (303-12C) .
  - Refer to: [Air Cleaner Outlet Pipe](#) (303-12B Intake Air Distribution and Filtering - 1.6L EcoBoost (132kW/180PS) - Sigma, Removal and Installation).
4.
  - Refer to: Air Cleaner (303-12C) .
  - Refer to: [Air Cleaner](#) (303-12B Intake Air Distribution and Filtering - 1.6L EcoBoost (132kW/180PS) - Sigma, Removal and Installation).
5. If equipped.  
*Torque : 6 Nm*



- 6.



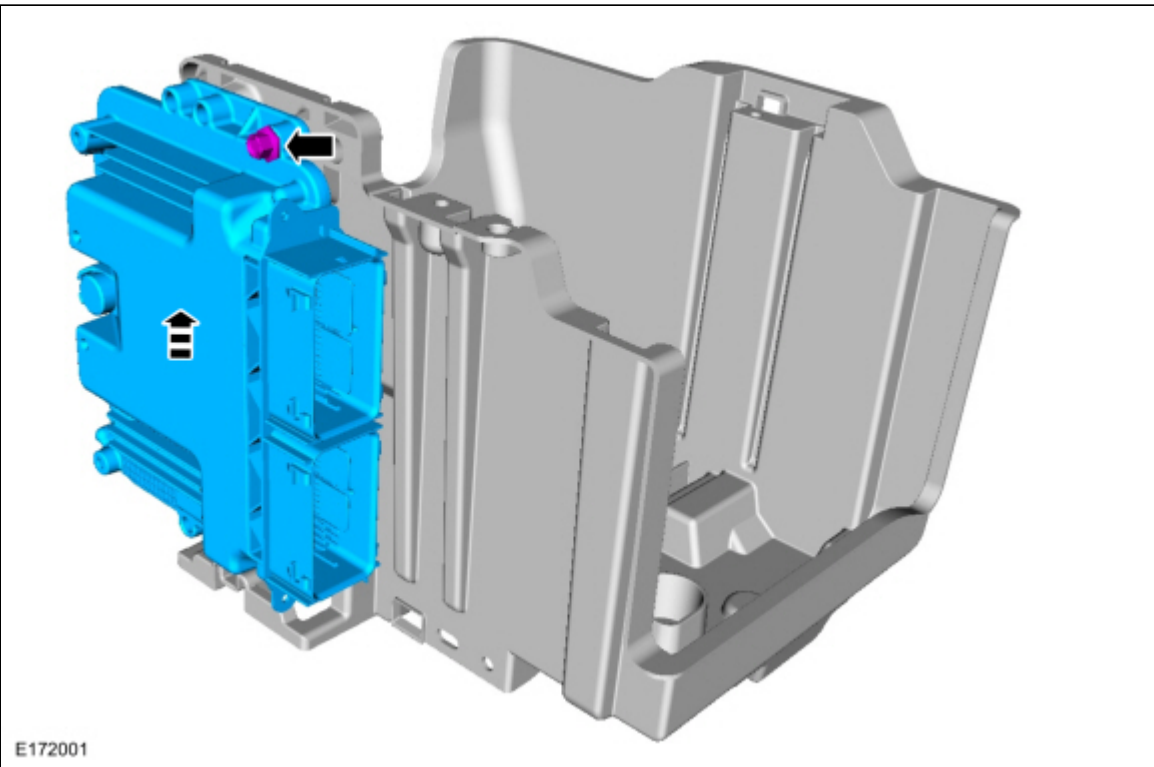
7. Torque : 10 Nm



### 1.0L EcoBoost vehicles

8. **NOTE:** This step is only necessary when installing a new component.

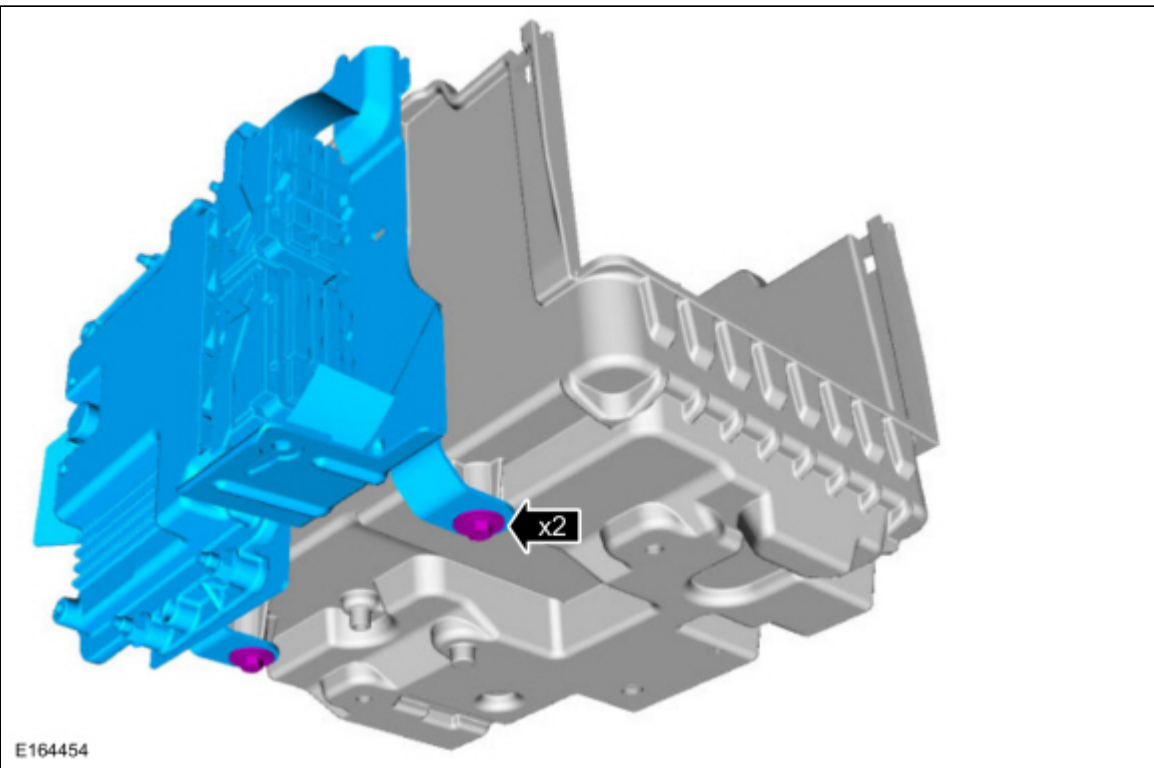
Torque : 5 Nm



### 1.6L Duratec-16V Ti-VCT vehicles

9. **NOTE:** This step is only necessary when installing a new component.

Torque : 5 Nm



### Installation

1. To install, reverse the removal procedure.

