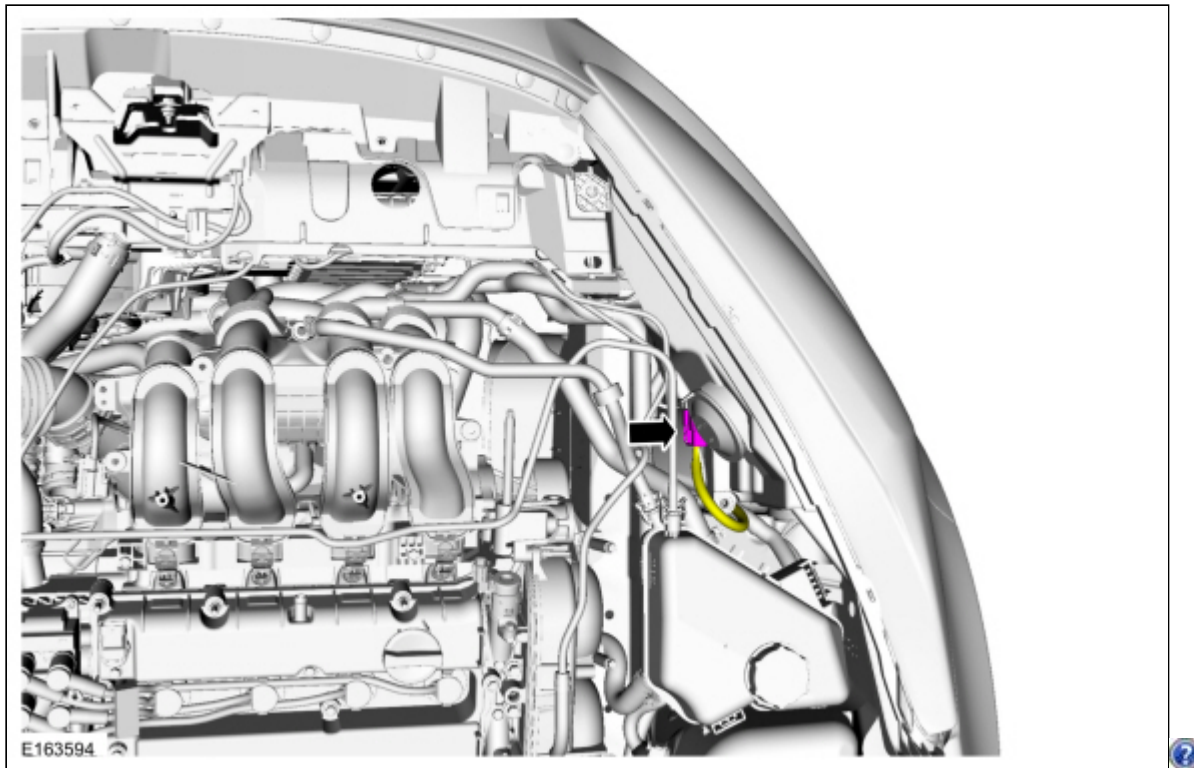


Headlamp Assembly

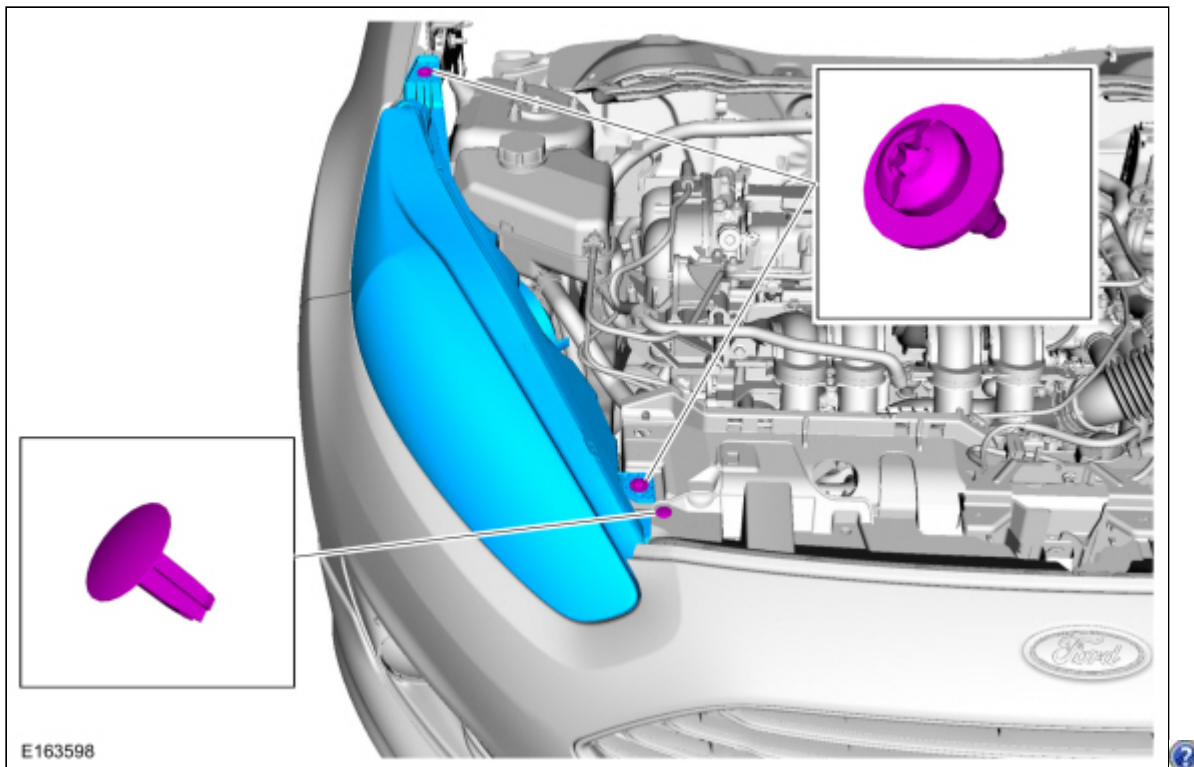
Removal

NOTE: Removal steps in this procedure may contain installation details.

1.



2. Torque : 5 Nm



Installation

1. To install, reverse the removal procedure.
2. If a new headlamp assembly has been installed.
Refer to: [Headlamp Adjustment](#) (417-01 Exterior Lighting, General Procedures).