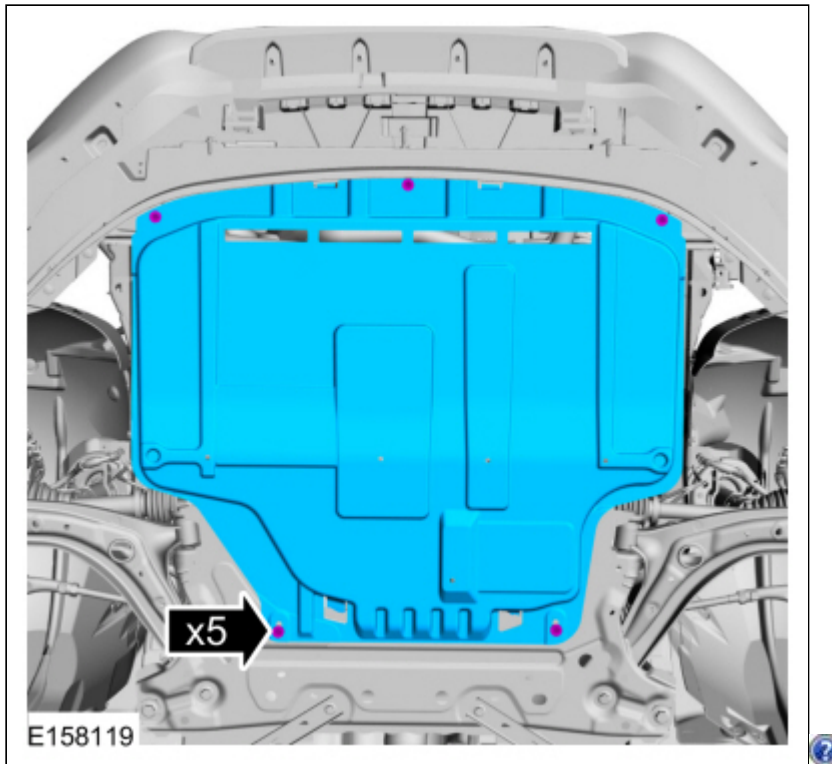
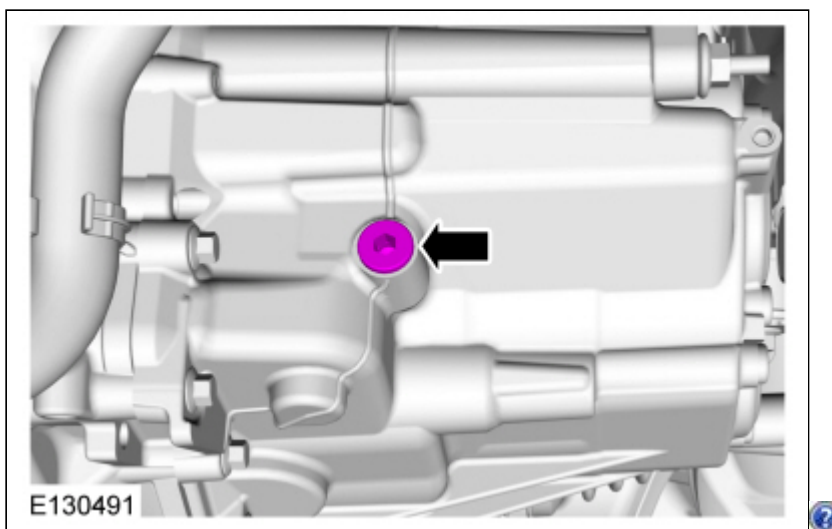


Transmission Fluid Level Check

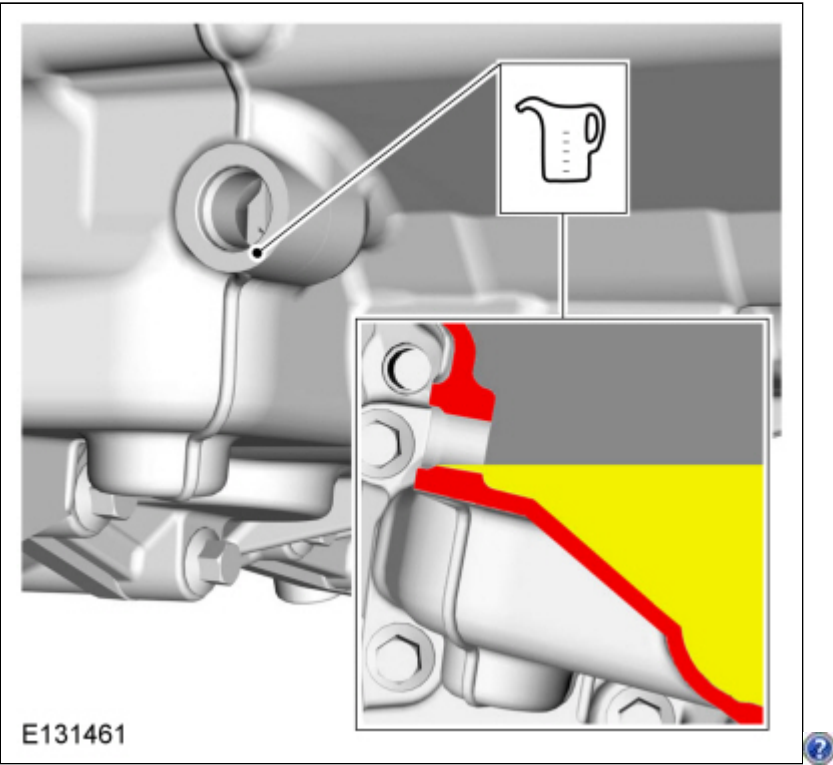
1. Refer to: [Jacking and Lifting - Overview](#) (100-02 Jacking and Lifting, Description and Operation).
2. If equipped.



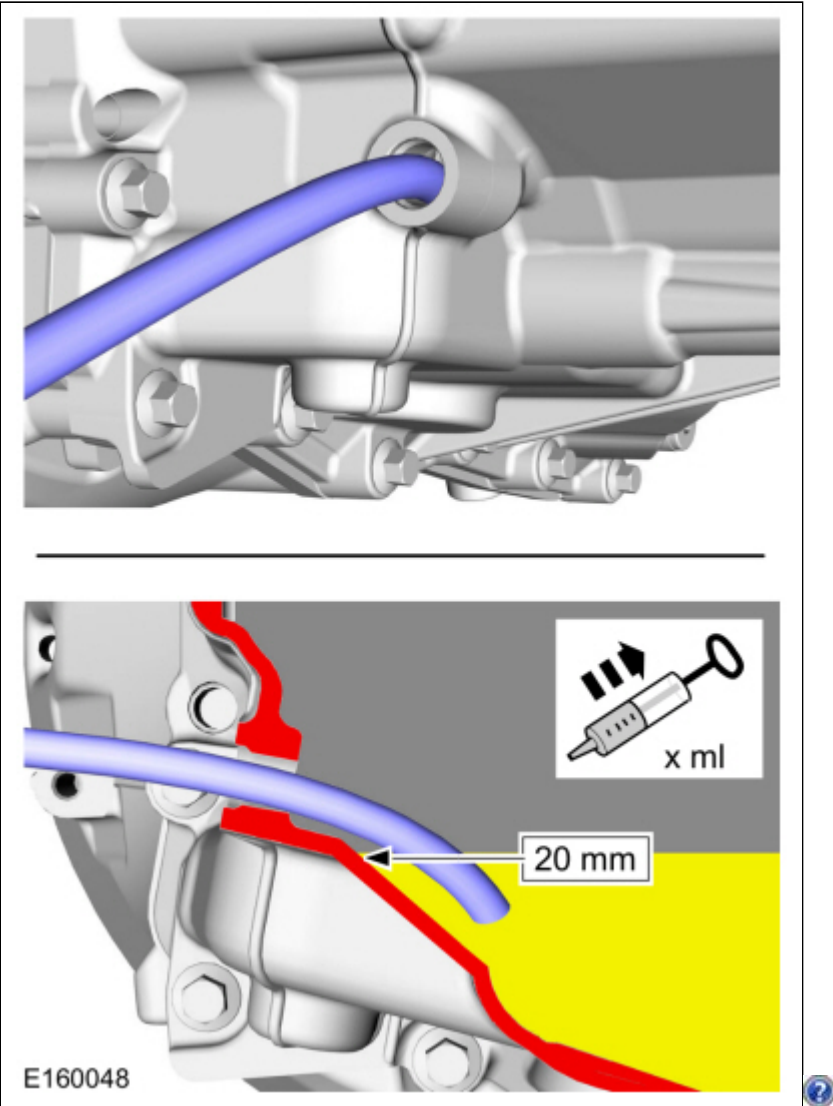
- 3.



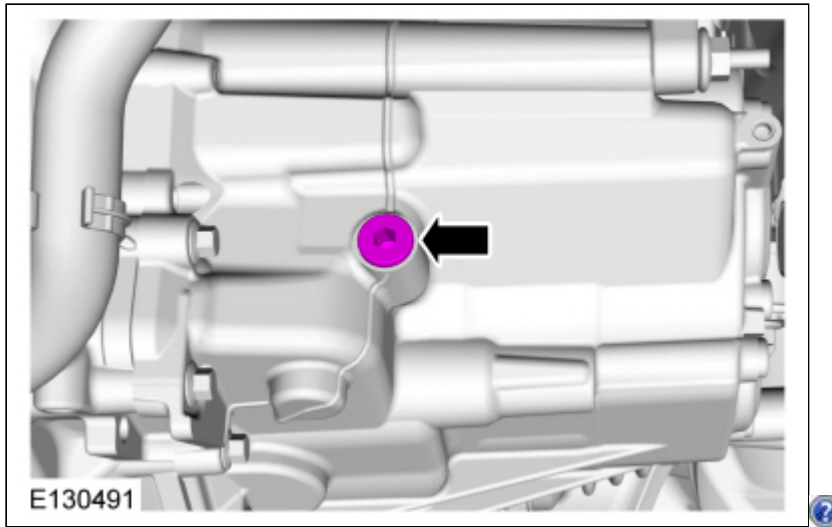
4. *Material* : Motorcraft® Dual Clutch Transmission Fluid / XT-11-QDC (WSS-M2C200-D2)



5. **NOTE:** Remove enough fluid to be 1 in (20 mm) below fill hole.



6. Torque : 40 Nm



7. If equipped.

